



GE Healthcare has made reasonable efforts to ensure this BIM file conforms to requirements of the applicable pre-installation manual. This BIM file was produced to assist with site planning and is not intended for construction or final building modeling. GE Healthcare is not responsible for any damages resulting from use of such file for construction or final building modeling purposes. Compliance with all applicable local, state, and federal laws and regulations is the responsibility of the customer or its designated architects and engineers. Please keep in mind the information in this BIM file is dynamic and is subject to change without notice. It is the responsibility of the customer or its designated architect(s) and engineer(s) to ensure they have the latest equipment or product information.



Healthcare
Project Implementation

OPTIMA CT660/660Pro - Rendering

Project number 6-80R

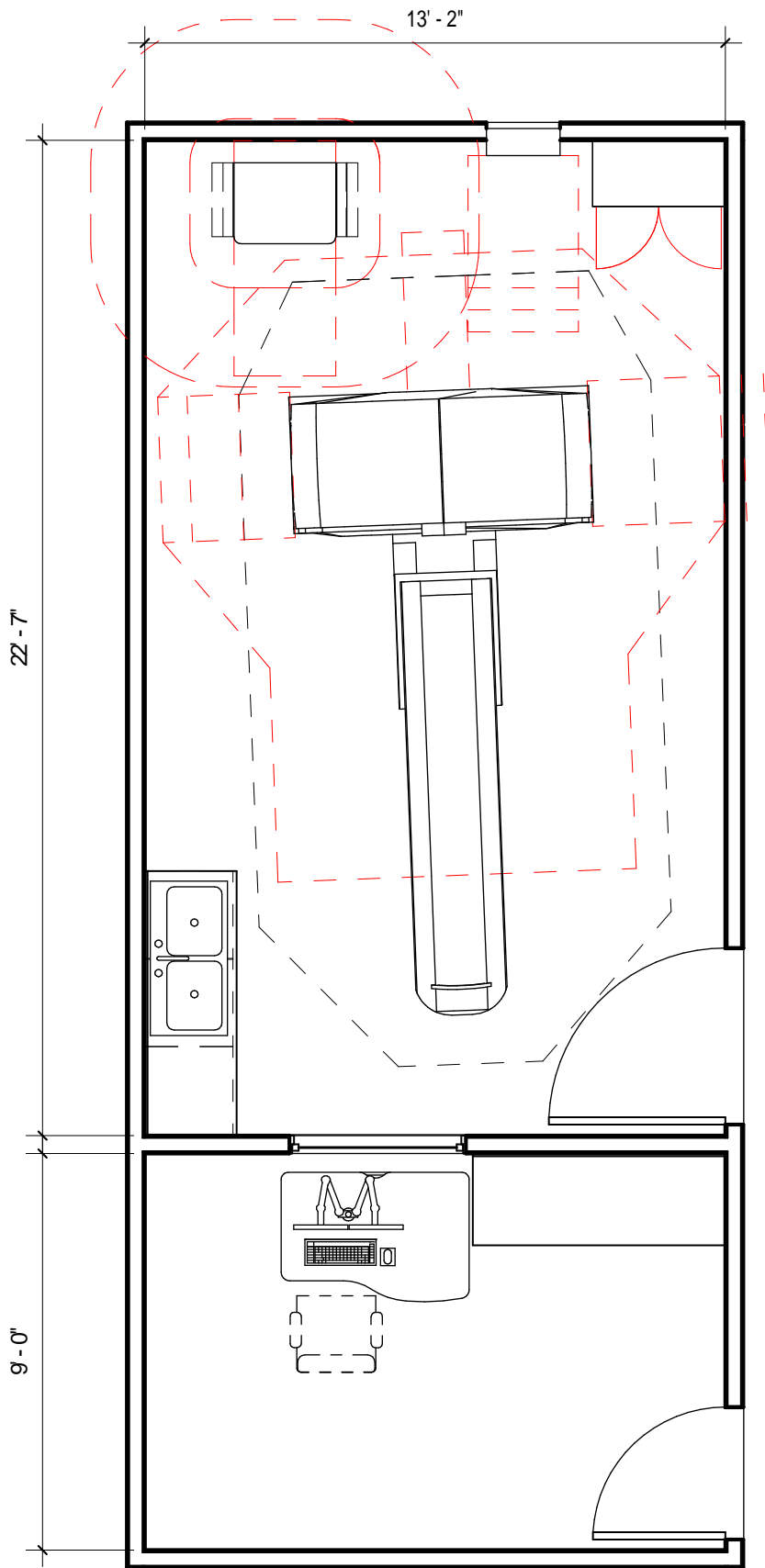
Date 03.MAR.14

Drawn by DMH

Checked by DMH

A-1

Scale



Healthcare
Project Implementation

OPTIMA CT660/660Pro

Project number 6-80R

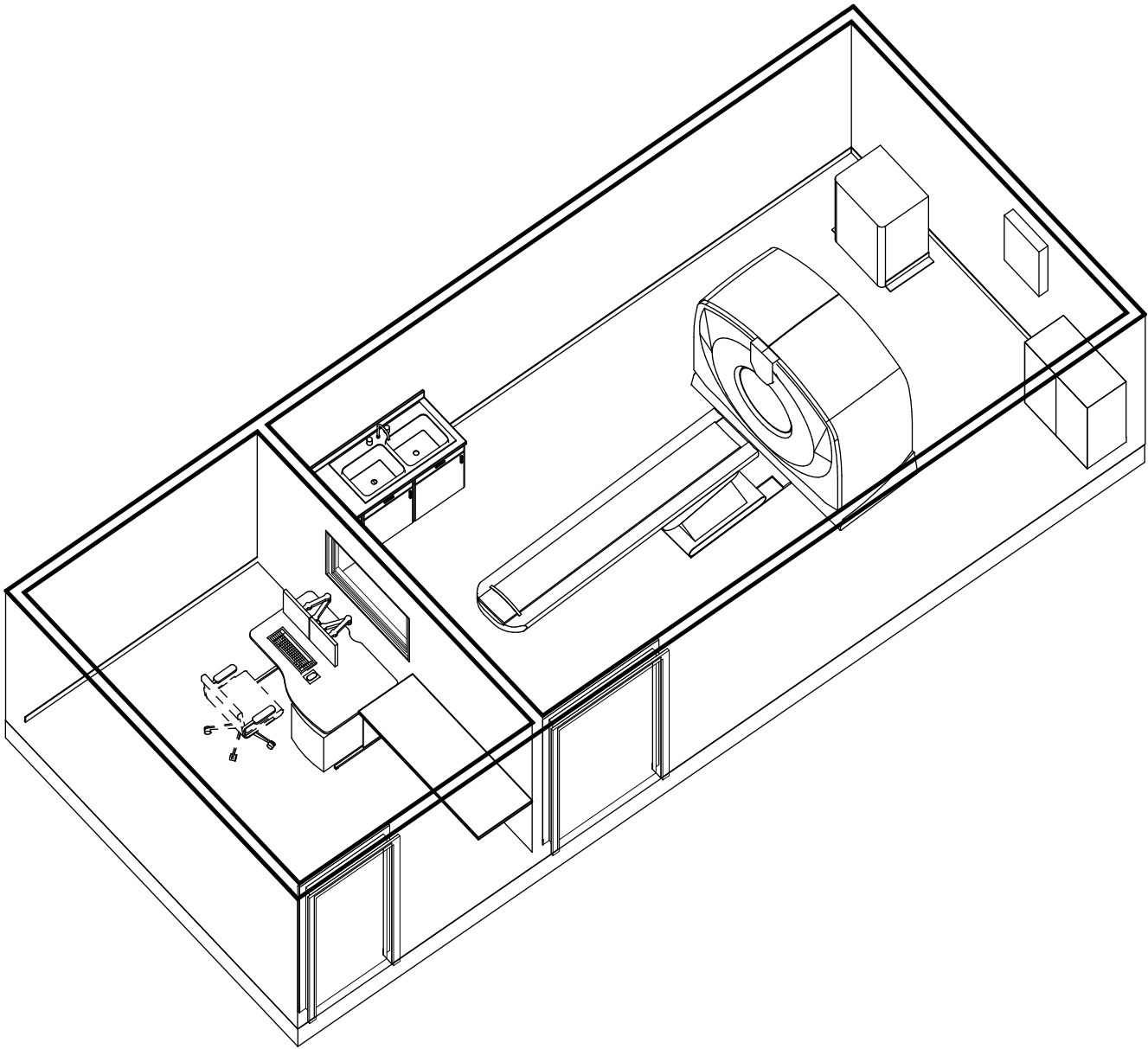
Date 03.MAR.14

Drawn by DMH

Checked by DMH

A-2

Scale 1/4" = 1'-0"



Equipment Schedule		
Description	Weight lbs	BTU
CT TABLE	1567	1023
POWER DISTRIBUTION UNIT	740	5119
NARROW OPERATORS CONSOLE	313	3201
STORAGE CABINET	99	0
OPTIMA CT660 GANTRY	3990	18703
MAIN DISCONNECT	90	0



Healthcare
Project Implementation

OPTIMA CT660/660Pro - Isometric View

Project number 6-80R

Date 03.MAR.14

Drawn by DMH

Checked by DMH

A-3

Scale