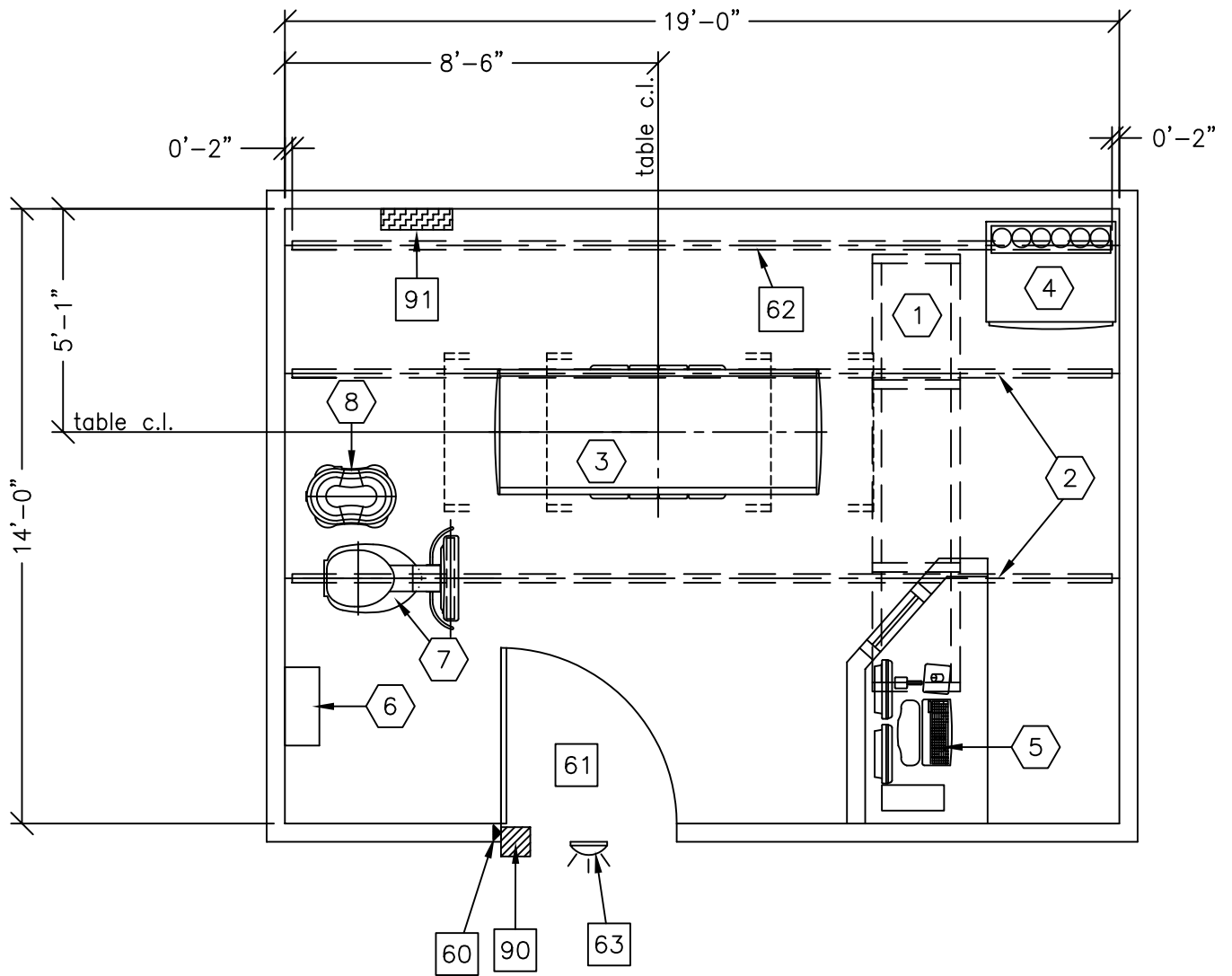
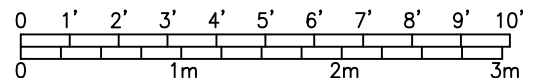




REVOLUTION XR/d 2X SYSTEM



ROOM DIMENSIONS	LENGTH & WIDTH	CEILING HEIGHT
MINIMUM:	16'-0" x 13'-0" [4.87m x 3.96m]	9'-0" [2.7m]



SEE APPENDIX "A" FOR POWER SPECIFICATIONS

ROOM PLAN LOCATED ON PAGE 1-132

ITEM	QUANTITY	ITEM DESCRIPTION	WEIGHT	HEAT OUTPUT
①	1	XT RADIOGRAPHIC SUSPENSION WITH INBOARD MOUNTING.	628 lbs	501 btu
②	2	LONGITUDINAL STATIONARY RAIL FOR XT SUSPENSION	68 lbs	
③	1	DIGITAL ELEVATING TABLE	954 lbs	1102 btu
④	1	SYSTEMS CABINET	1166 lbs	2457 btu
⑤	1	OPERATORS CONSOLE	74 lbs	1235 btu
⑥	1	GRID HOLDER (FIELD VERIFY IDEAL LOCATION)	35 lbs	
⑦	1	DIGITAL CHEST UNIT	595 lbs	819 btu
⑧	1	DETECTOR SUPPORT ASSEMBLY	97 lbs	
***** CUSTOMER/CONTRACTOR SUPPLIED AND INSTALLED ITEMS *****				
⑥0		DOOR LIMIT SWITCH		
⑥1		MINIMUM DOOR OPENING FOR EQUIPMENT DELIVERY IS 44 IN. W x 83 IN. H [1118mm x 2108mm], CONTINGENT ON A 96 IN. [2438mm] CORRIDOR WIDTH		
⑥2		CABLE DRAPE RAIL.		
⑥3		X-RAY ON WARNING LIGHT-AVAILABLE FROM GE SUPPLY CALL: 800-200-9760 GE CAT. NO. WXIABWW-0F-XIU		
90		X-RAY ROOM WARNING LIGHT CONTROL PANEL. REFERENCE JUNCTION POINT 'XRLC' ON SHEET 'E1' FOR DETAILED DESCRIPTION. E4500RL FOR WARNING LIGHT CONTROL ONLY.		
91		MAIN DISCONNECT, REFERENCE JUNCTION POINT 'A' ON SHEET E1 FOR DETAILED DESCRIPTION. CAT. NO. E4502RS OR WITH AUTO RESTART E4502SA. (20 W x 48 H x 6.68 in. D)		

ENVIRONMENT

Ambient Operation Temperature: 59-75° (F)
 Allowable Temperature Change: 15° (F) per hour
 Humidity: 20-80 percent non condensing
 Allowable Humidity Change: 10 percent per hour
 Max - Altitude: 8000 ft. above sea level